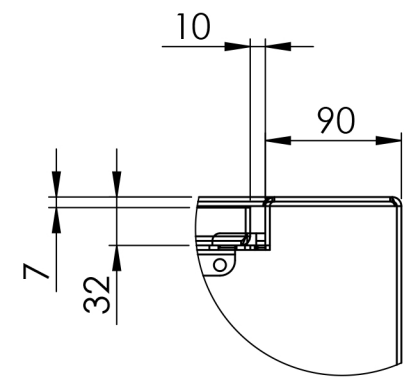
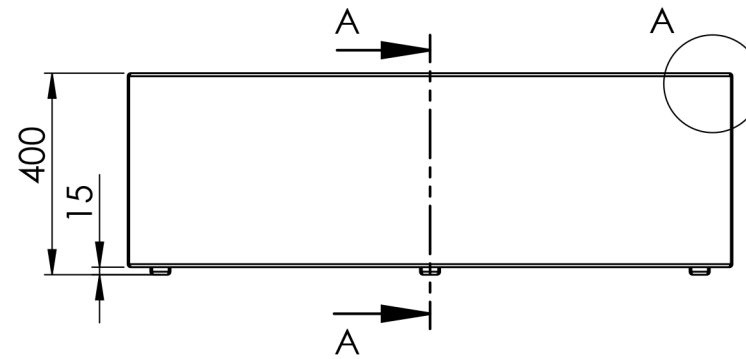
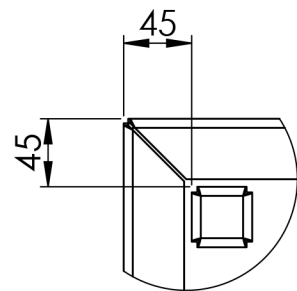
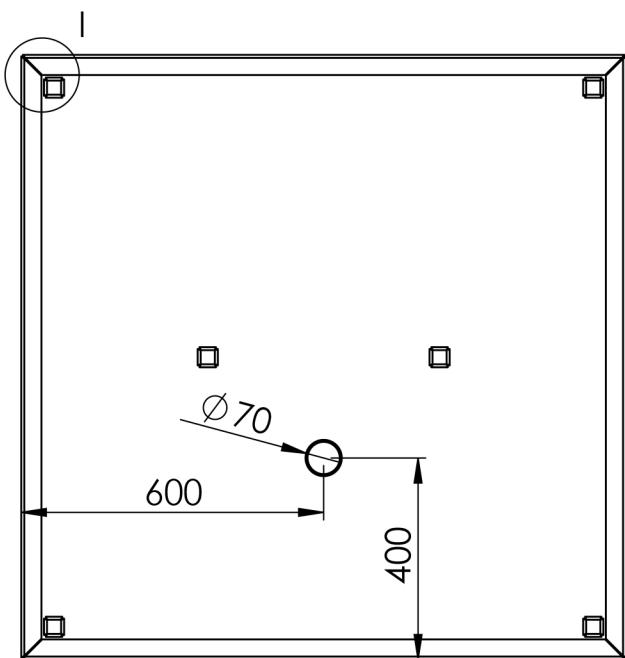


SECTION A-A



DETAIL A  
SCALE 1 : 5



DETAIL I  
SCALE 1 : 5

ITEM NO.	PART NUMBER	Thickness	DESCRIPTION	Default/QTY.
1	AB11.-Base	3 mm	Aluminum	1
2	AB11.-Cover	3 mm	Aluminum	1

DATE  
23-11-2020



TITLE:

3 mm Aluminium



Drawing.

AB11.

A3

Color:

Mass (kg): **42.06**

SCALE:1:15

SHEET 1 OF 14