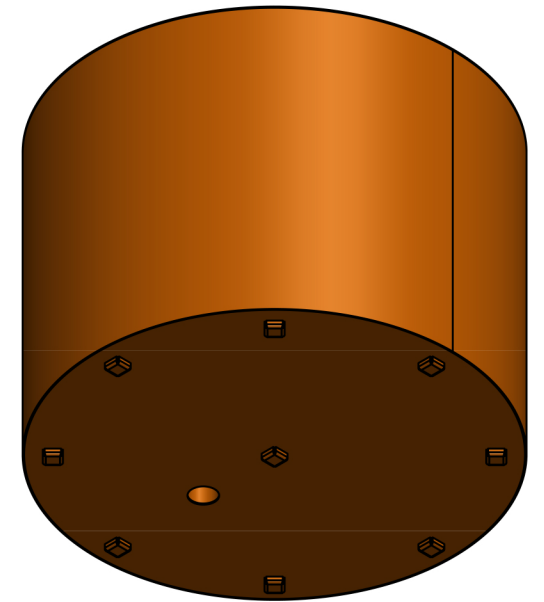
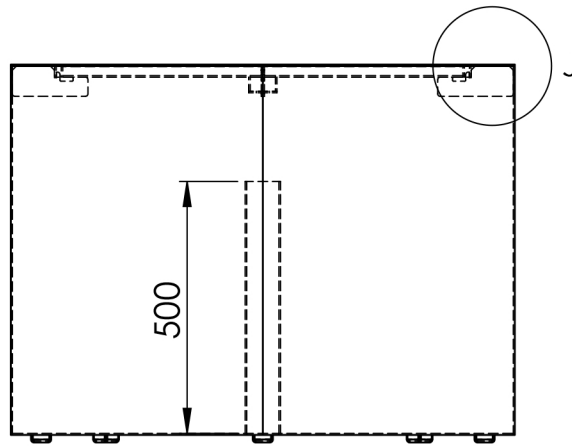
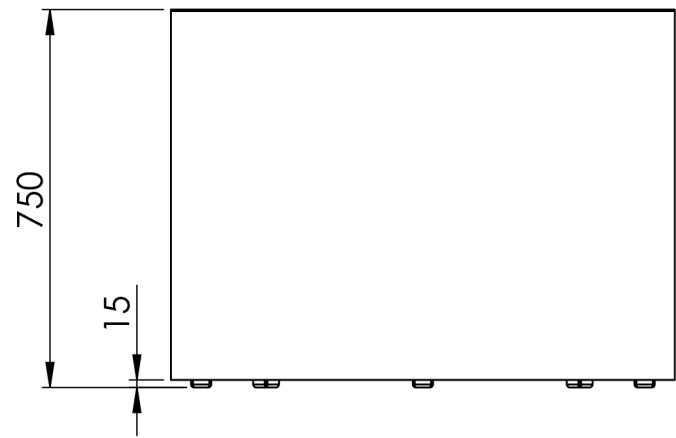
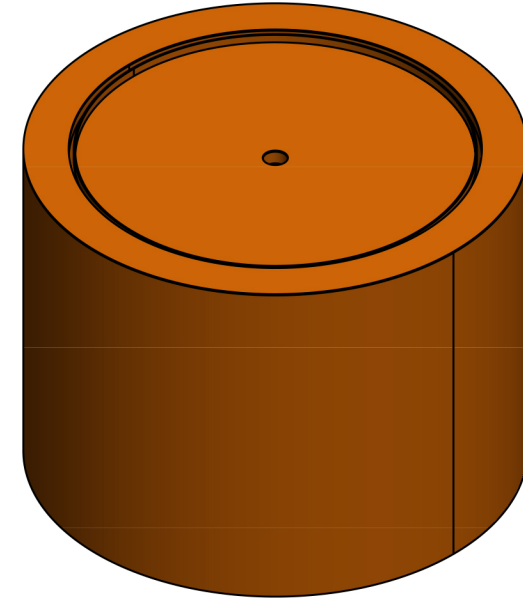


DETAIL J  
SCALE 2 : 15



DATE	18-1-2022
DATE	16-3-2022



TITLE: 3mm Corten



Drawing: CBR3 A3

Color: - Mass (kg): 96.44

SCALE: 1:15 SHEET 1 OF 15